

Circle Seal Controls

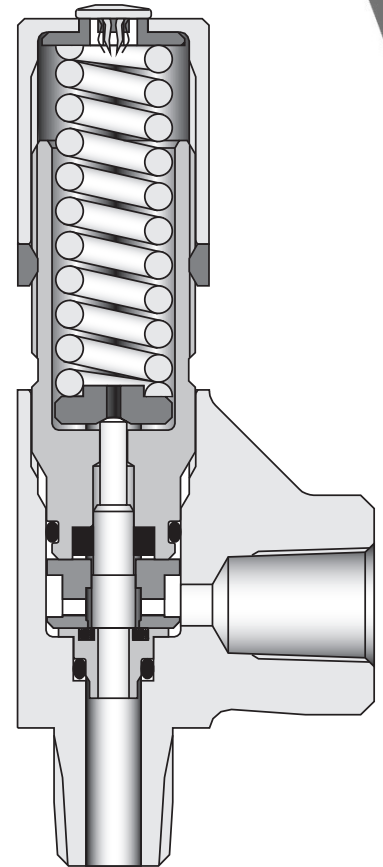
R5200 Series Adjustable Right Angle Relief Valves

Features

- Zero-Leak
- External Adjustment
- Optional Factory Pre-set
- Accurate Set Pressure
- 4 Springs to Cover Entire Crack Pressure Range
- 100% Seat Leakage Tested
- 316 Stainless Steel
- Stainless Steel Internal Construction
- All Internal Parts Interchangeable
- NPT
- Lockwire Capability Standard
- Teflon® Cap Seal

Technical Data

- | | |
|------------------------------|---|
| Body Construction Materials: | • 316 Stainless Steel or Brass |
| Spring Material: | • 17-7 PH Stainless Steel |
| Seal Material: | • Viton® |
| Operating Pressure: | • 5000 PSI |
| Temperature Range: | • -65° F to +400° F (-54° C to +204° C)
Based on o-ring material, see "How to Order" |
| Connection Sizes: | • 1/8" to 3/8" |
| Cracking Pressure Tolerance: | • ±10% |
| Flow at Cracking Pressure: | • 5cc/minute |
| Reseal Pressure: | • 80% of cracking pressure |
| Leakage: | • Ascending pressure zero to 95% of CP
• Descending pressure zero at 80% of CP |



NOTE: Proper filtration is recommended to prevent damage to sealing surfaces.

2301 Wardlow Circle
Corona, California 92878
tel 951.270.6200
fax 951.270.6201

<http://www.circlesealcontrols.com>
sales_CAI_CA@circoraerospace.com

R5200 Series

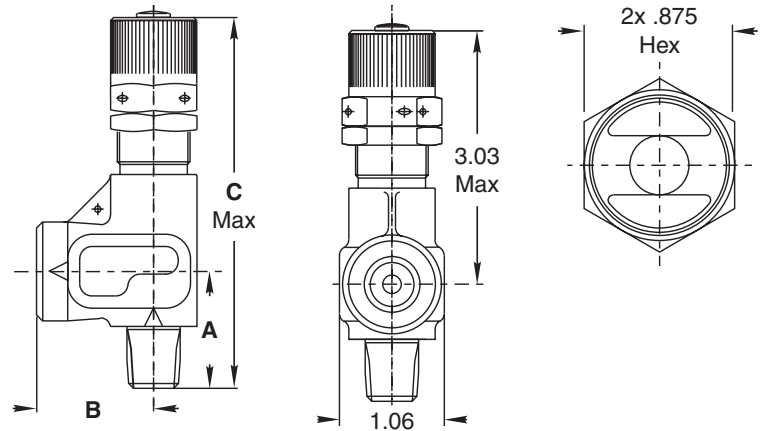
50–4,500 PSIG

Operating Pressures (Maximum)

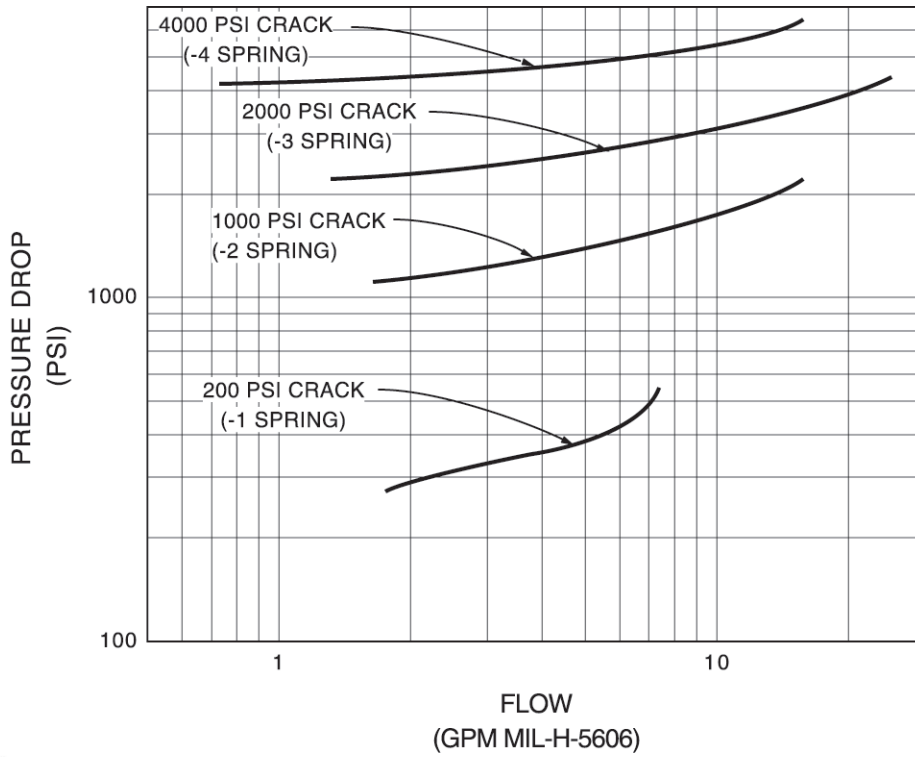
	R5200T1 (316 SS)
Cracking Pressure	4500 PSID
Relieving Working Pressure	5000 PSIG
Back (return)	1500 PSIG
Inlet Proof	7500 PSIG
Outlet Proof	1500 PSIG
Minimum Burst	15000 PSIG

Dimensions (inches)

Model No.	A	B	C
-2MP	1.19	1.19	4.35
-3MP	1.19	1.19	4.35



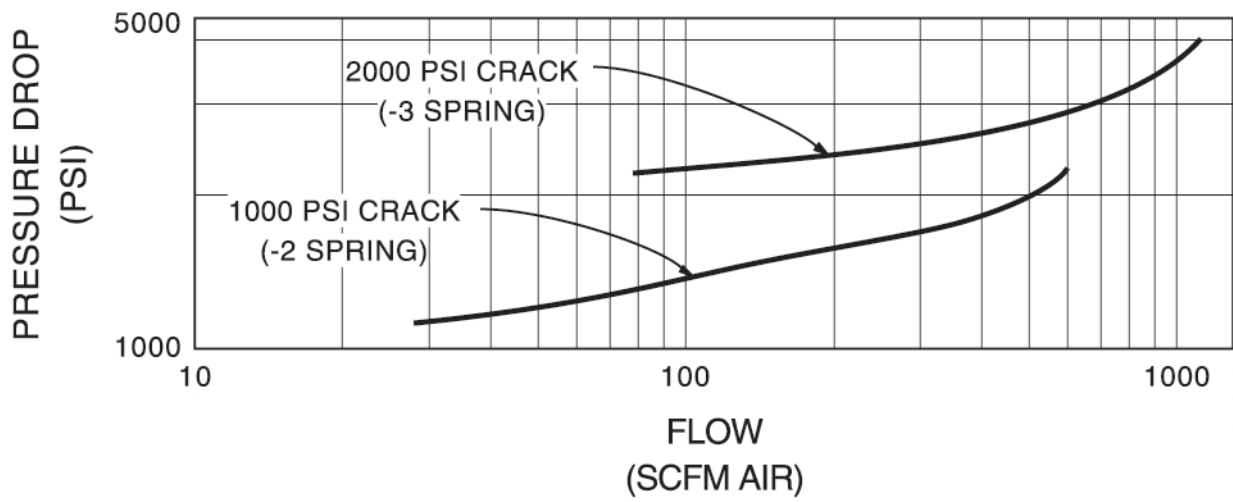
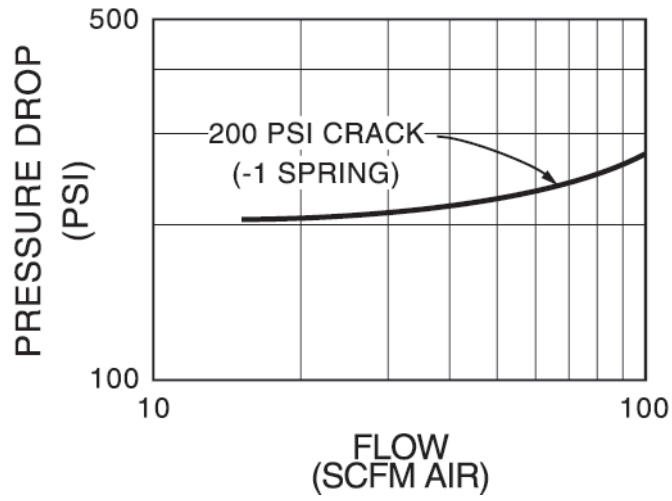
Flow Curves



R5200 Series

50-4,500 PSIG

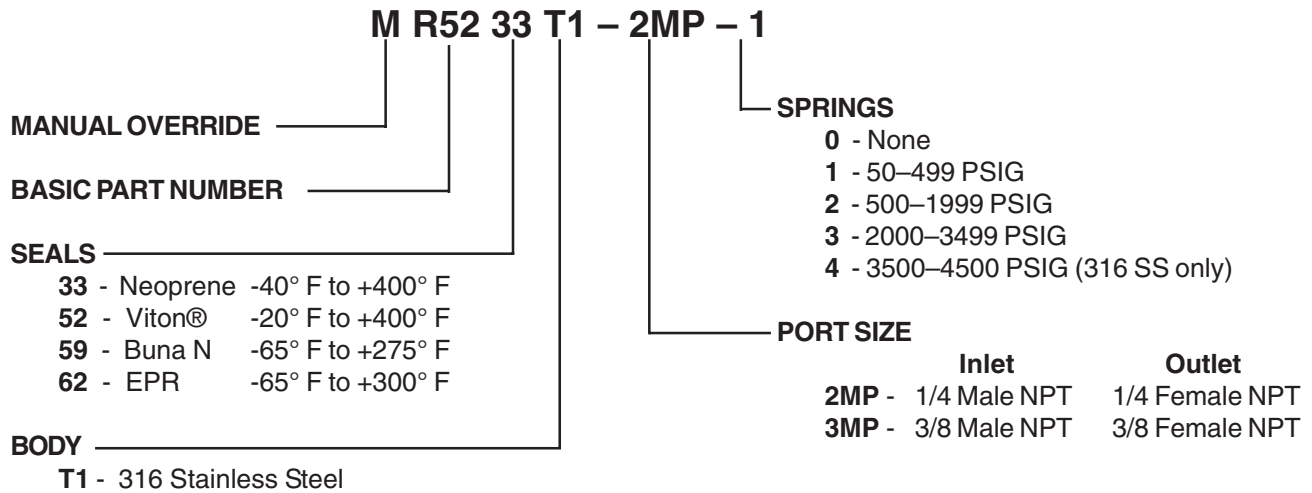
Flow Curves (continued)



R5200 Series

50–4,500 PSIG

How to Order



Note: Please consult your Circle Seal Controls Representative or our factory for information on special connections, operating pressures and temperature ranges.

Viton® is a registered trademark of DuPont Dow Elastomers.

Spring Kits

Contains Spring & Label

Spring#	Pressure
37256 -1	50–499 PSIG
-2	500–1999 PSIG
37256 -3	2000–3499 PSIG
-4	3500–4500 PSIG (316 SS only)

Manual Override Kit

23013

Seal Repair Kits

K/R5233	Neoprene
K/R5252	Viton®
K/R5259	Buna N
K/R5262	EPR

For Your Safety

It is the sole responsibility of the system designer and user to select products suitable for their specific application requirements and to ensure proper installation, operation and maintenance of these products. Material compatibility product ratings and application details should be considered in the selection. Improper selection or use of products described here in can cause personal injury or property damage.